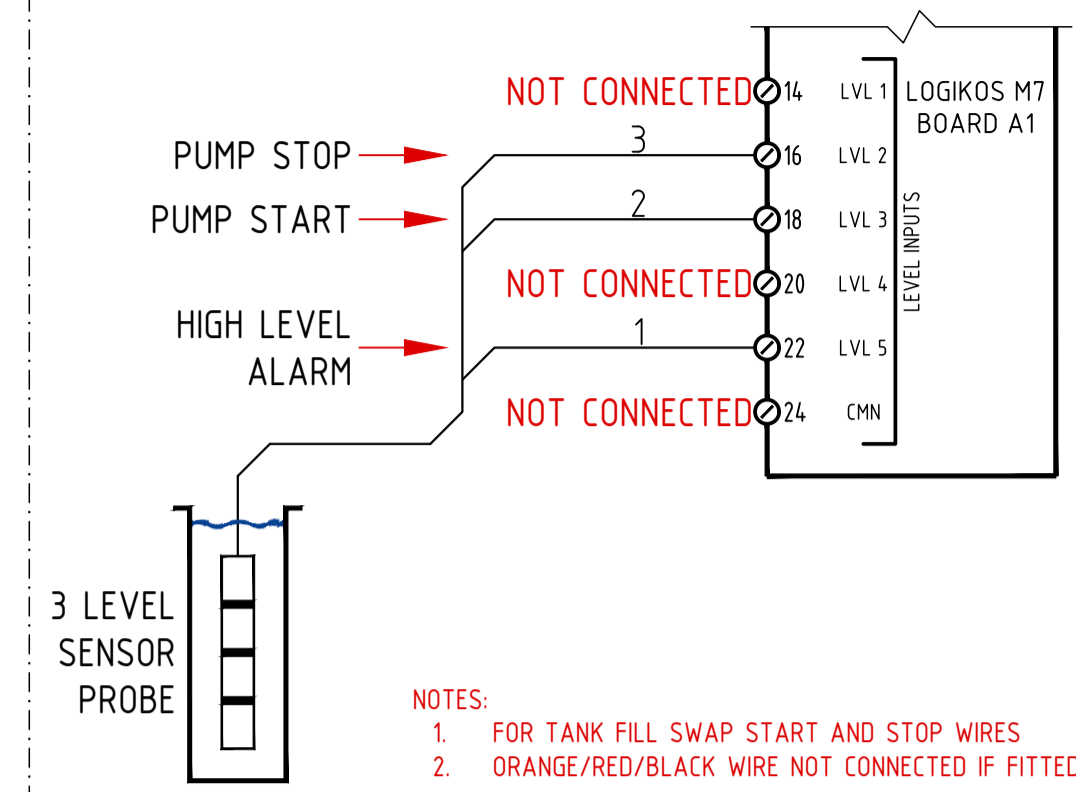


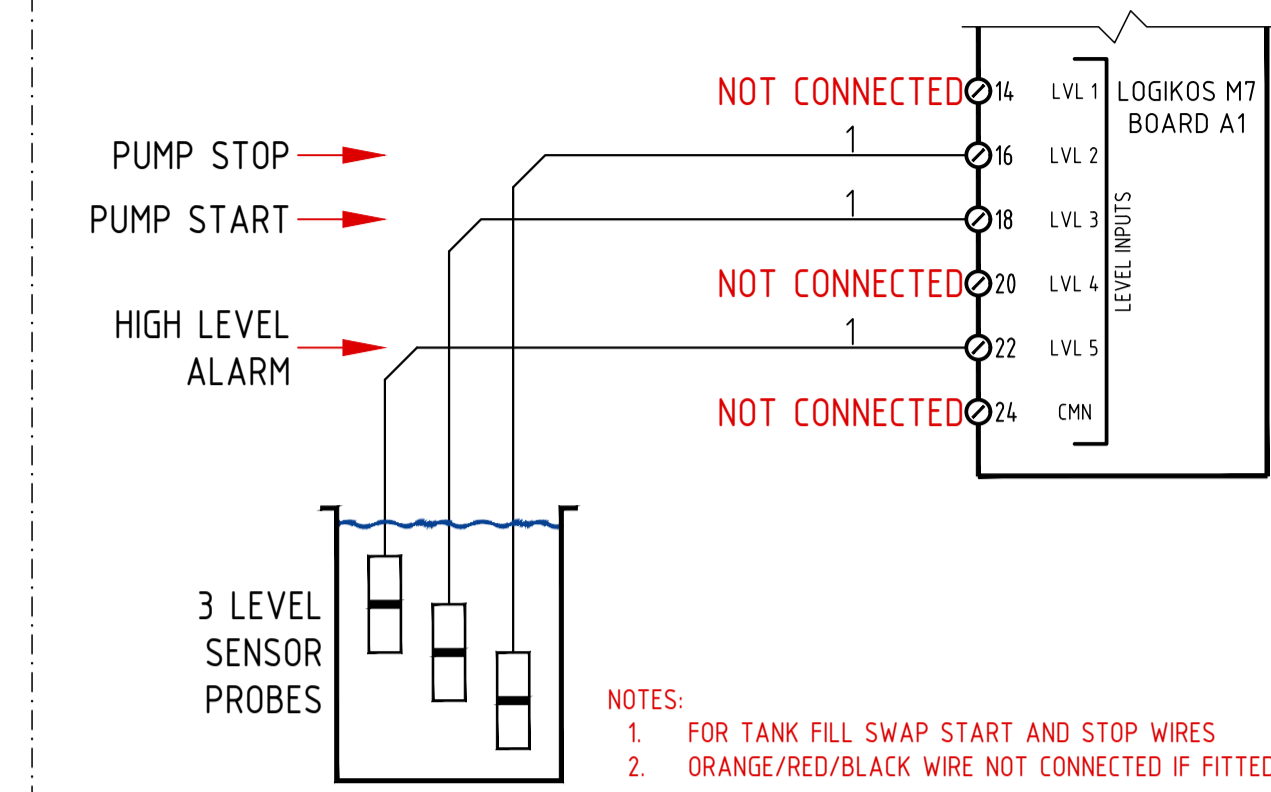
BOARDS A1 & B

3 LEVEL SENSOR PROBE - TANK EMPTY



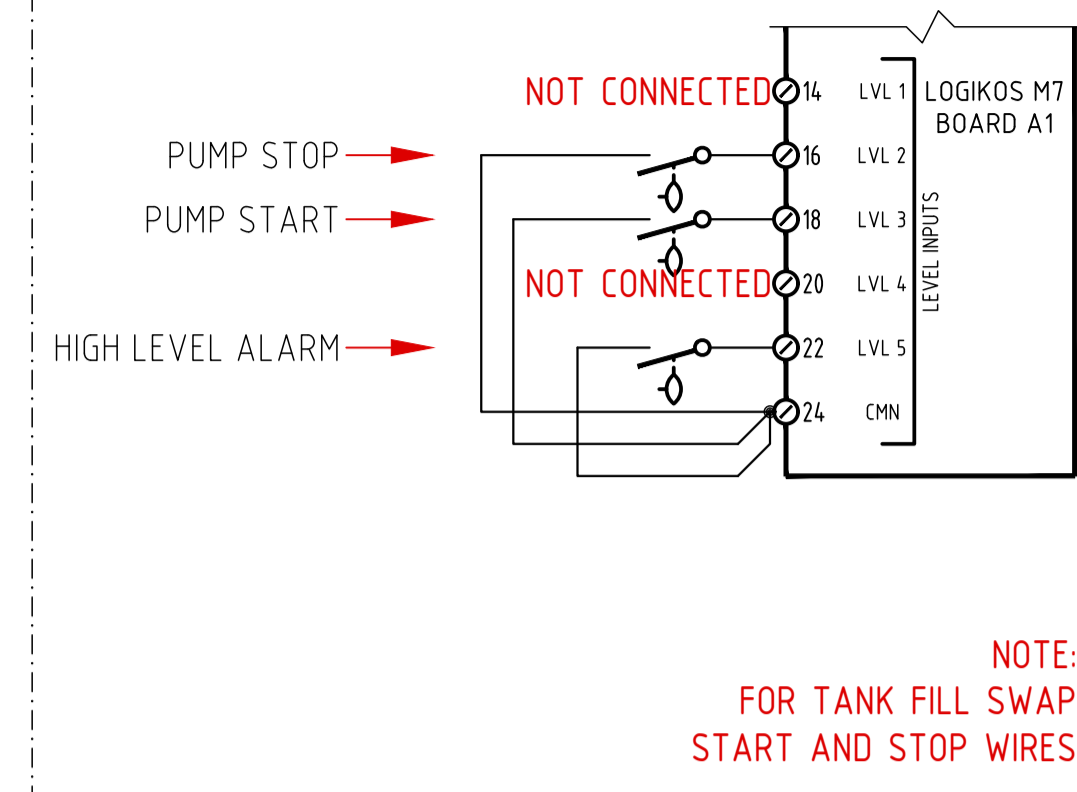
NOTES:
1. FOR TANK FILL SWAP START AND STOP WIRES
2. ORANGE/RED/BLACK WIRE NOT CONNECTED IF FITTED

3 LEVEL INDIVIDUAL SENSOR PROBES - TANK EMPTY



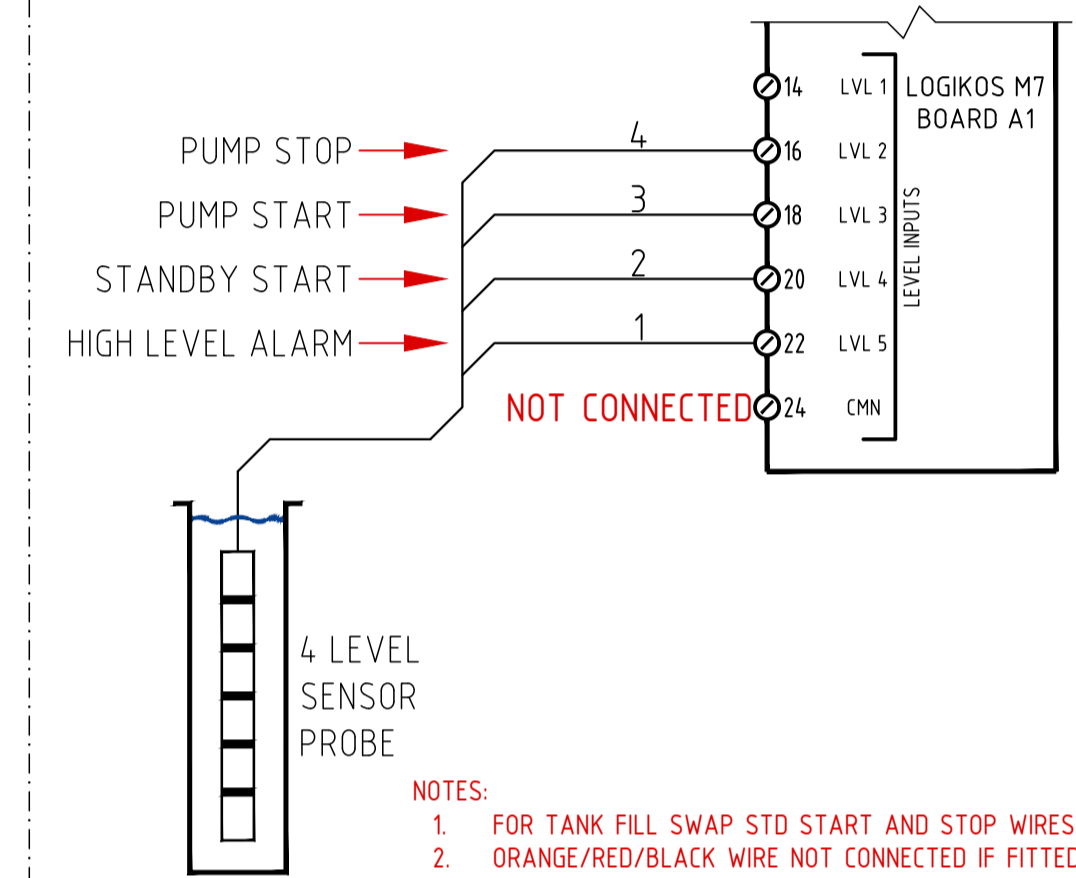
NOTES:
1. FOR TANK FILL SWAP START AND STOP WIRES
2. ORANGE/RED/BLACK WIRE NOT CONNECTED IF FITTED

3 FLOAT SWITCHES - TANK EMPTY



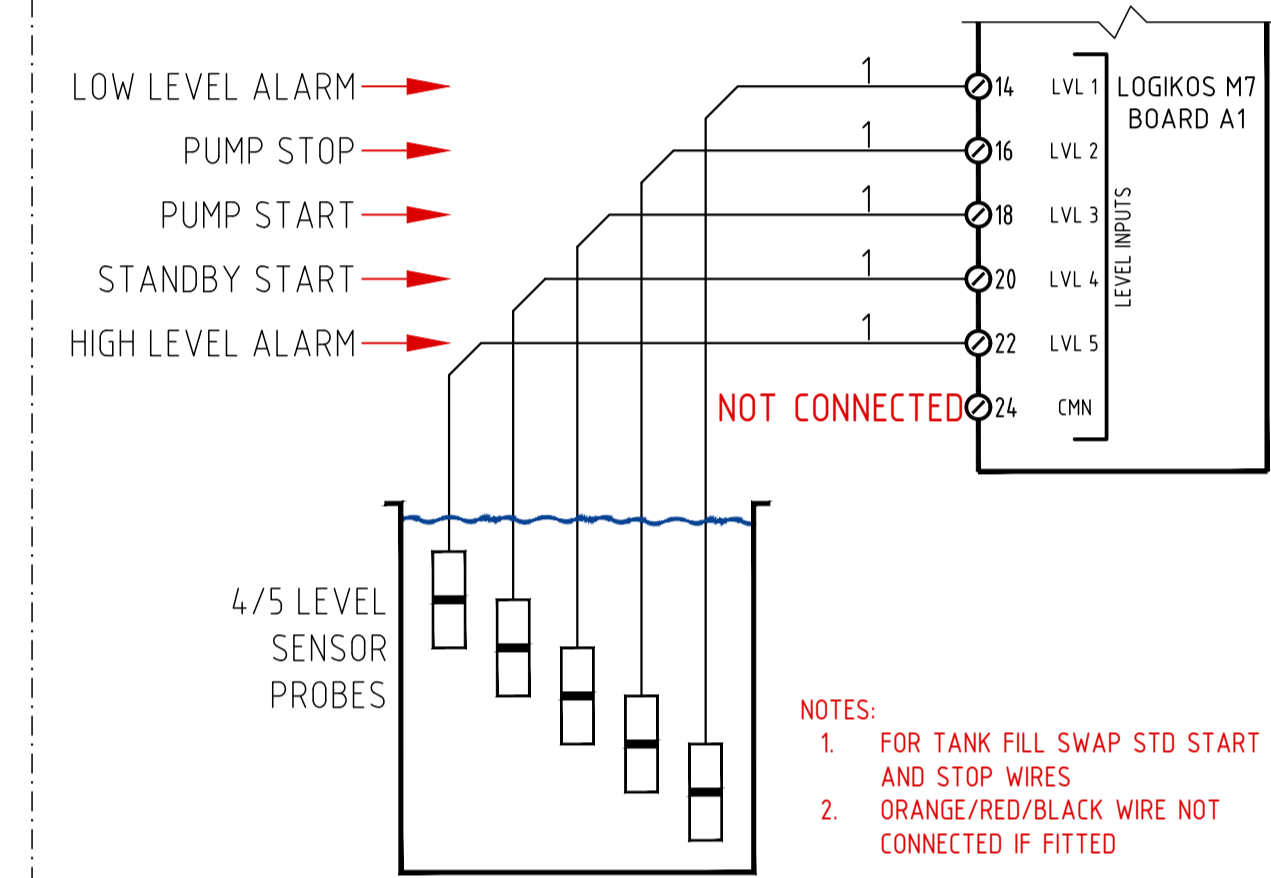
NOTE:
FOR TANK FILL SWAP START AND STOP WIRES

4 LEVEL SENSOR PROBE - TANK EMPTY



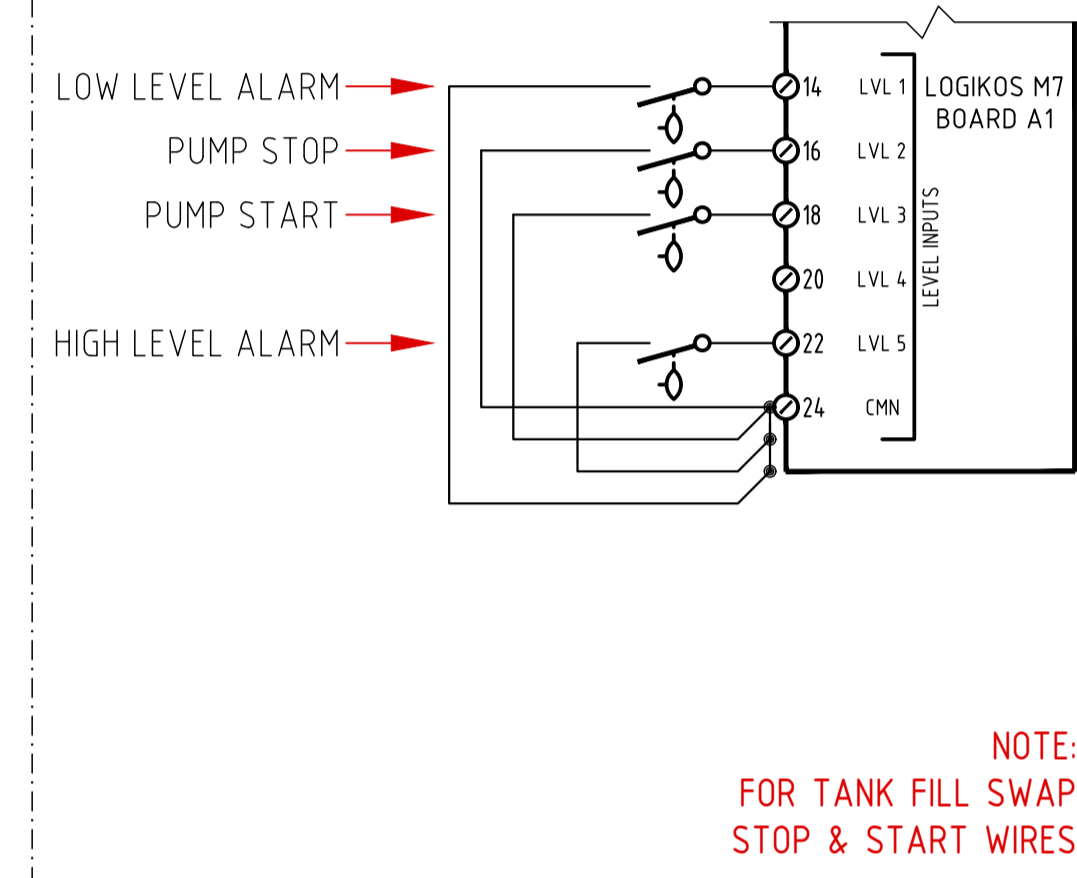
NOTES:
1. FOR TANK FILL SWAP STD START AND STOP WIRES
2. ORANGE/RED/BLACK WIRE NOT CONNECTED IF FITTED

4/5 LEVEL INDIVIDUAL SENSOR PROBES - TANK EMPTY



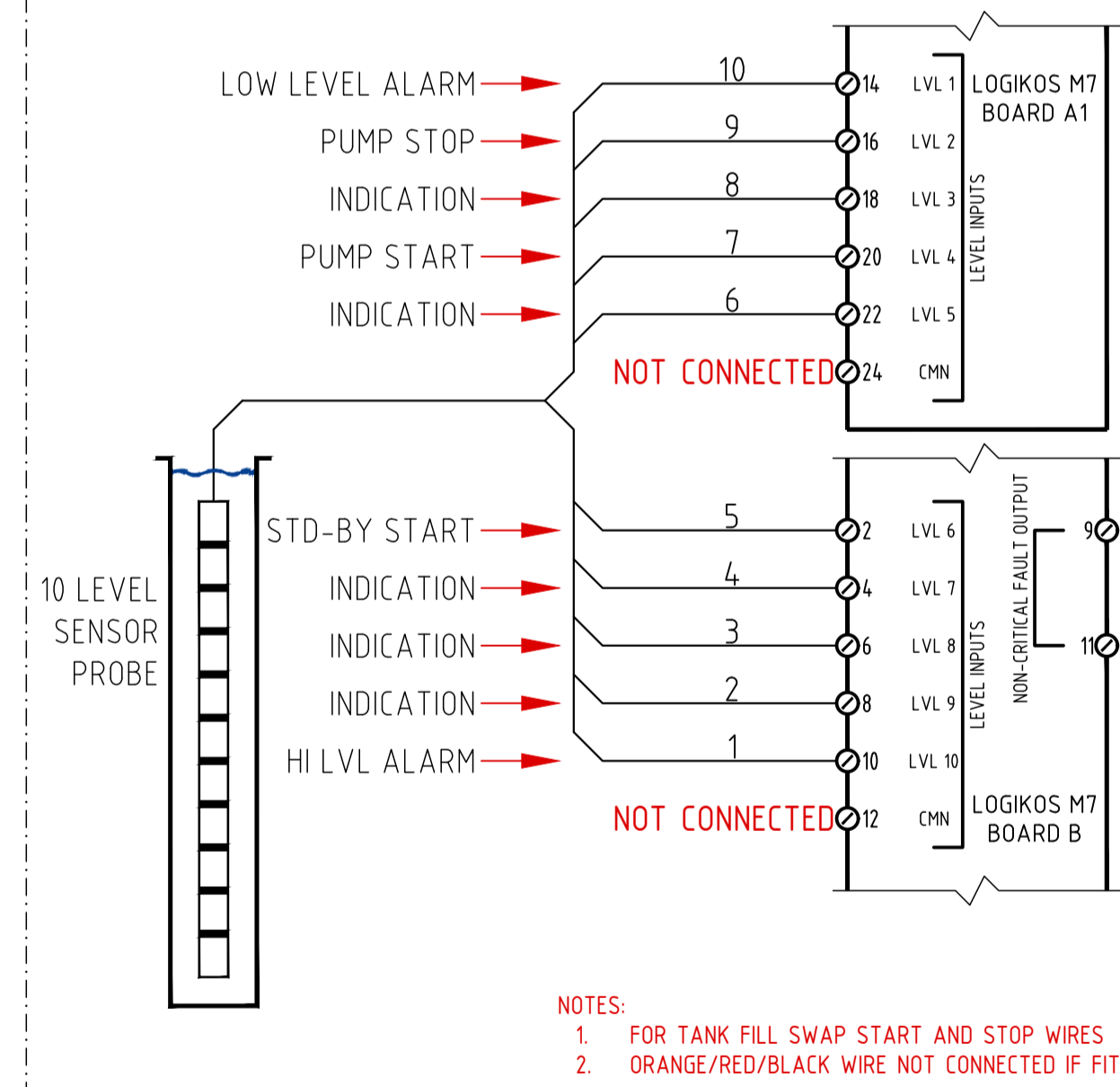
NOTES:
1. FOR TANK FILL SWAP STD START AND STOP WIRES
2. ORANGE/RED/BLACK WIRE NOT CONNECTED IF FITTED

4 FLOAT SWITCHES - TANK EMPTY



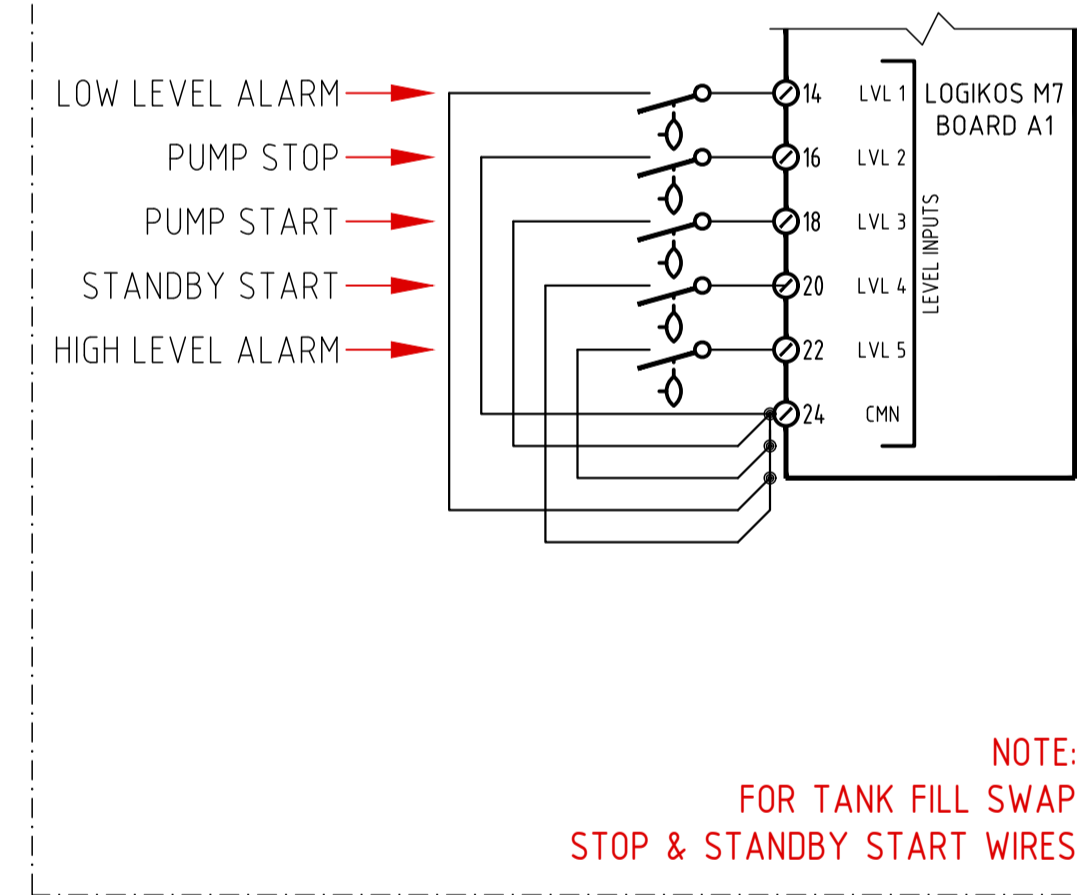
NOTE:
FOR TANK FILL SWAP STOP & START WIRES

10 LEVEL SENSOR PROBE - TANK EMPTY



NOTES:
1. FOR TANK FILL SWAP START AND STOP WIRES
2. ORANGE/RED/BLACK WIRE NOT CONNECTED IF FITTED

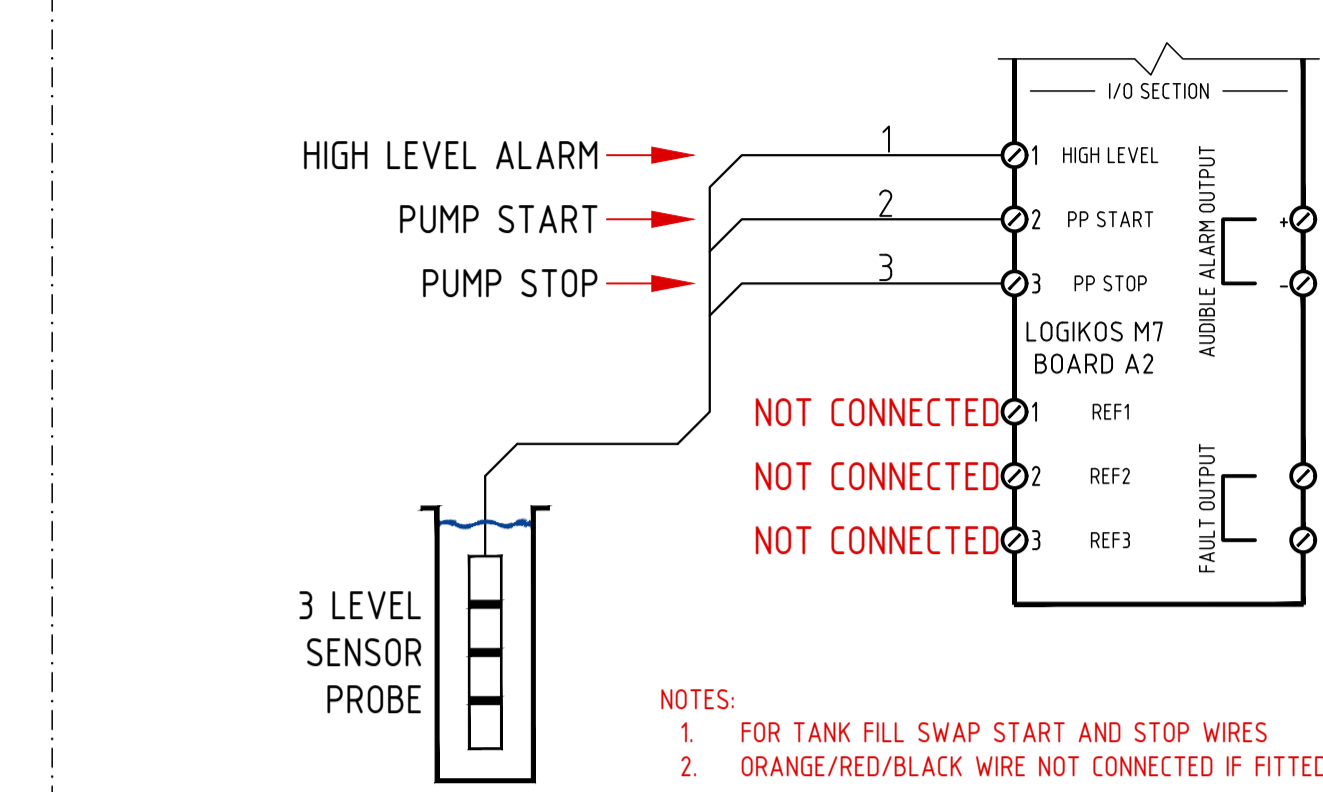
5 FLOAT SWITCHES - TANK EMPTY



NOTE:
FOR TANK FILL SWAP STOP & STANDBY START WIRES

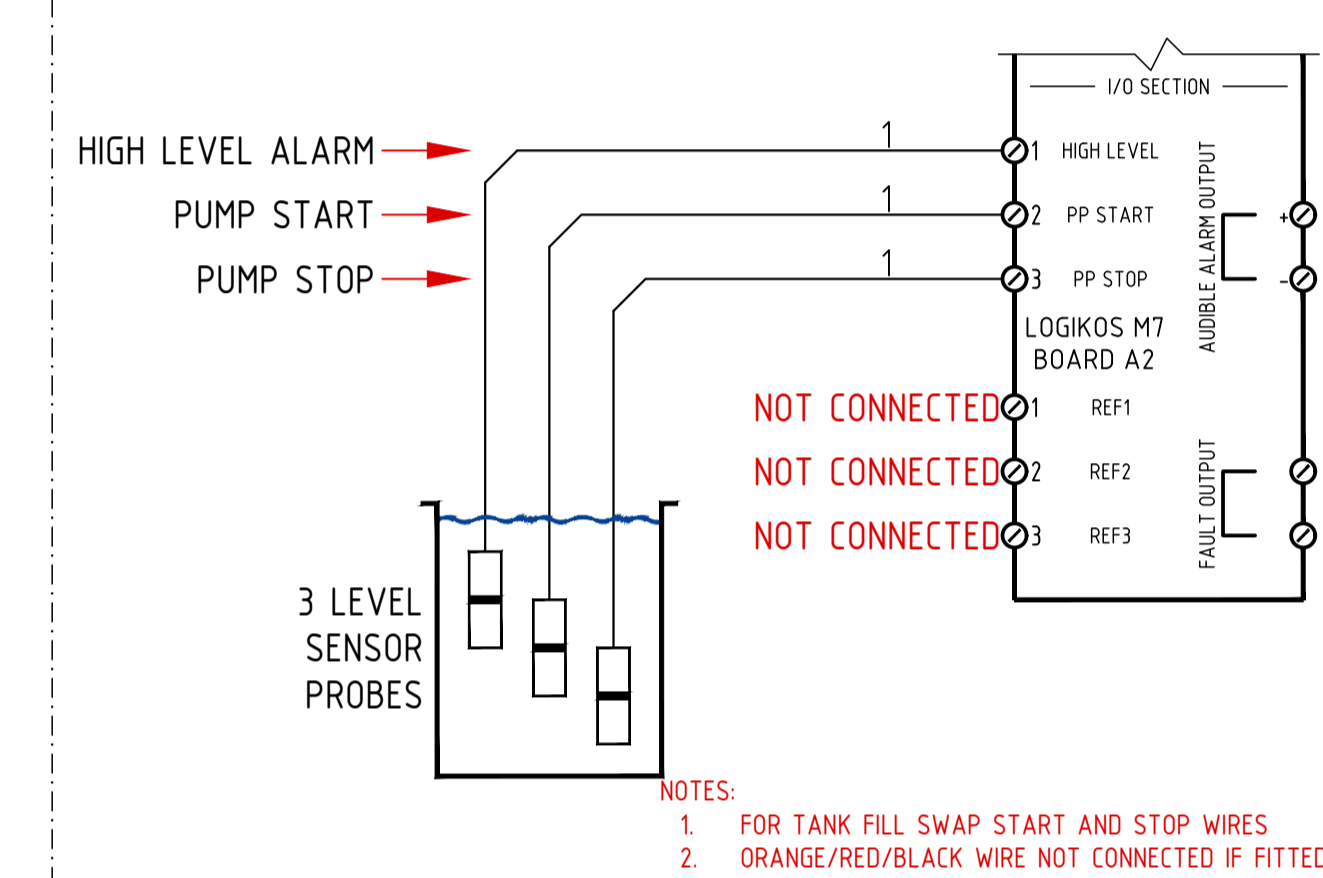
BOARD A2

3 LEVEL SENSOR PROBE - TANK EMPTY



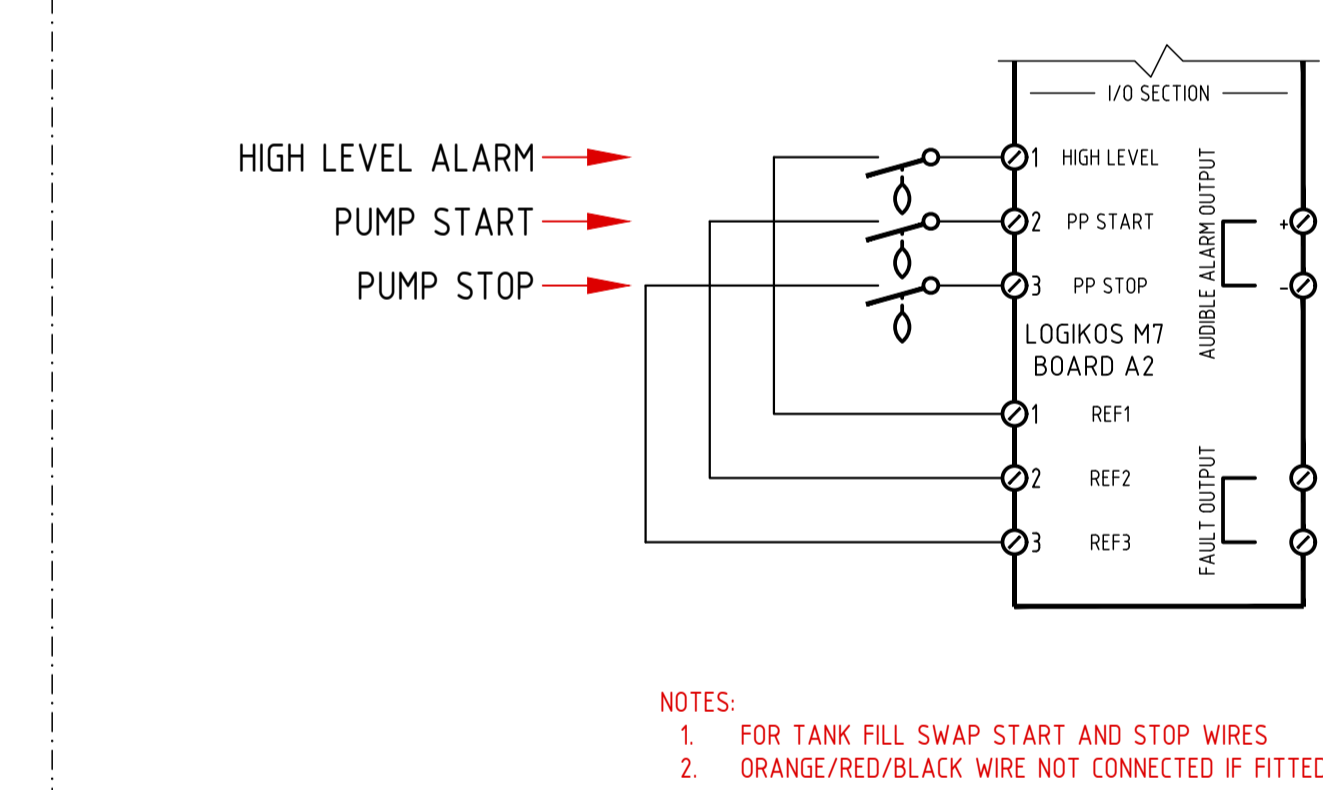
NOTES:
1. FOR TANK FILL SWAP START AND STOP WIRES
2. ORANGE/RED/BLACK WIRE NOT CONNECTED IF FITTED

3 LEVEL INDIVIDUAL SENSOR PROBES - TANK EMPTY



NOTES:
1. FOR TANK FILL SWAP START AND STOP WIRES
2. ORANGE/RED/BLACK WIRE NOT CONNECTED IF FITTED

3 FLOAT SWITCHES - TANK EMPTY



NOTES:
1. FOR TANK FILL SWAP START AND STOP WIRES
2. ORANGE/RED/BLACK WIRE NOT CONNECTED IF FITTED

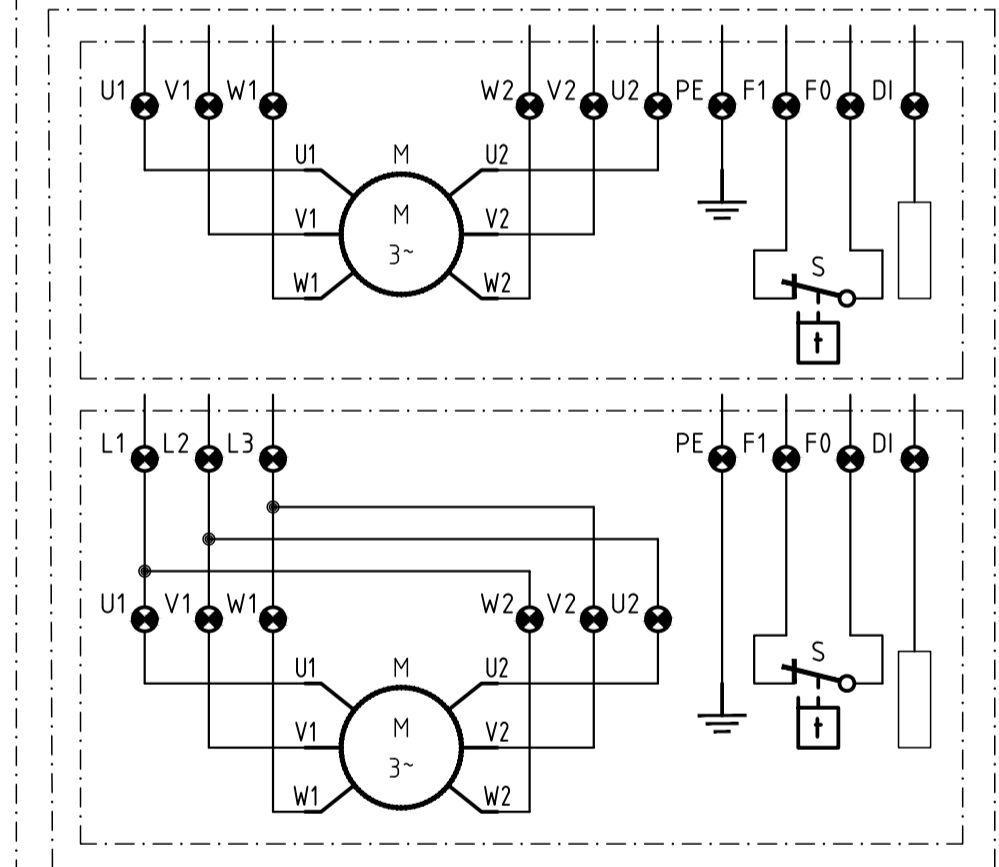
LEGENDS

- TERMINALS
- EXTERNAL CABLE

NOTES

1. ONLY ONE LEVEL MONITORING OPTION CAN BE SELECTED
2. LEVEL TRANSDUCER IS NOT PART OF THIS INSTALLATION NOTE - PLEASE SEE SCHEMATIC

6 WIRE MOTOR CONNECTION - DELTA



REV	DESCRIPTION	BY	DATE	CHK	DATE	APP	DATE	REFERENCE
4	AMENDED TO COMMENTS	JFD	29.01.21	JFD	29.01.21	JFD	29.01.21	
3	AMENDED TO COMMENTS	JFD	30.09.20	NC	30.09.20	JFD	30.09.20	
2	AMENDED TO COMMENTS	JFD	25.02.20	JFD	25.02.20	LAS	25.02.20	
1	AMENDED TO COMMENTS	JFD	16.04.19	JFD	16.04.19	LAS	16.04.19	STD-E-LKS-04
0	APPROVED FOR CONSTRUCTION	JFD	09.04.19	JFD	09.04.19	LAS	09.04.19	STD-E-LKS-03
A	ISSUED FOR APPROVAL	JFD	21.12.18	JFD	21.12.18	LAS	21.12.18	STD-E-LKS-01

Specialists in Package Pumping Solutions

2 Modal Crescent (Cnr Baile Rd)
Canning Vale, WA 6155
+61 (08) 9350 1000
www.alliedpumps.com.au

COPYRIGHT. THIS DRAWING AND DESIGN MUST NOT BE COPIED IN WHOLE OR IN PART WITHOUT THE WRITTEN CONSENT OF ALLIED PUMPS AND AS REPRODUCED MUST CARRY ALLIED PUMPS DESIGNATION.

CLIENT:	TITLE:	TYPICAL PUMP CONTROLLER LOGIKOS M7 - 2 PUMP ELECTRICAL SCHEMATIC - INSTALLATION NOTES	
PROJECT:	XXXXXXXXXXXXX XXXXXXXXXXXXX		INTERNAL DOC CONTROL
SHEET SIZE:	SCALE:	PROJECT DRG. No.	REVISION:
A1	1:Scale	STD-E-LKS-02 4	-