

**LEGENDS**

- TERMINALS
- EXTERNAL CABLE

**NOTES**

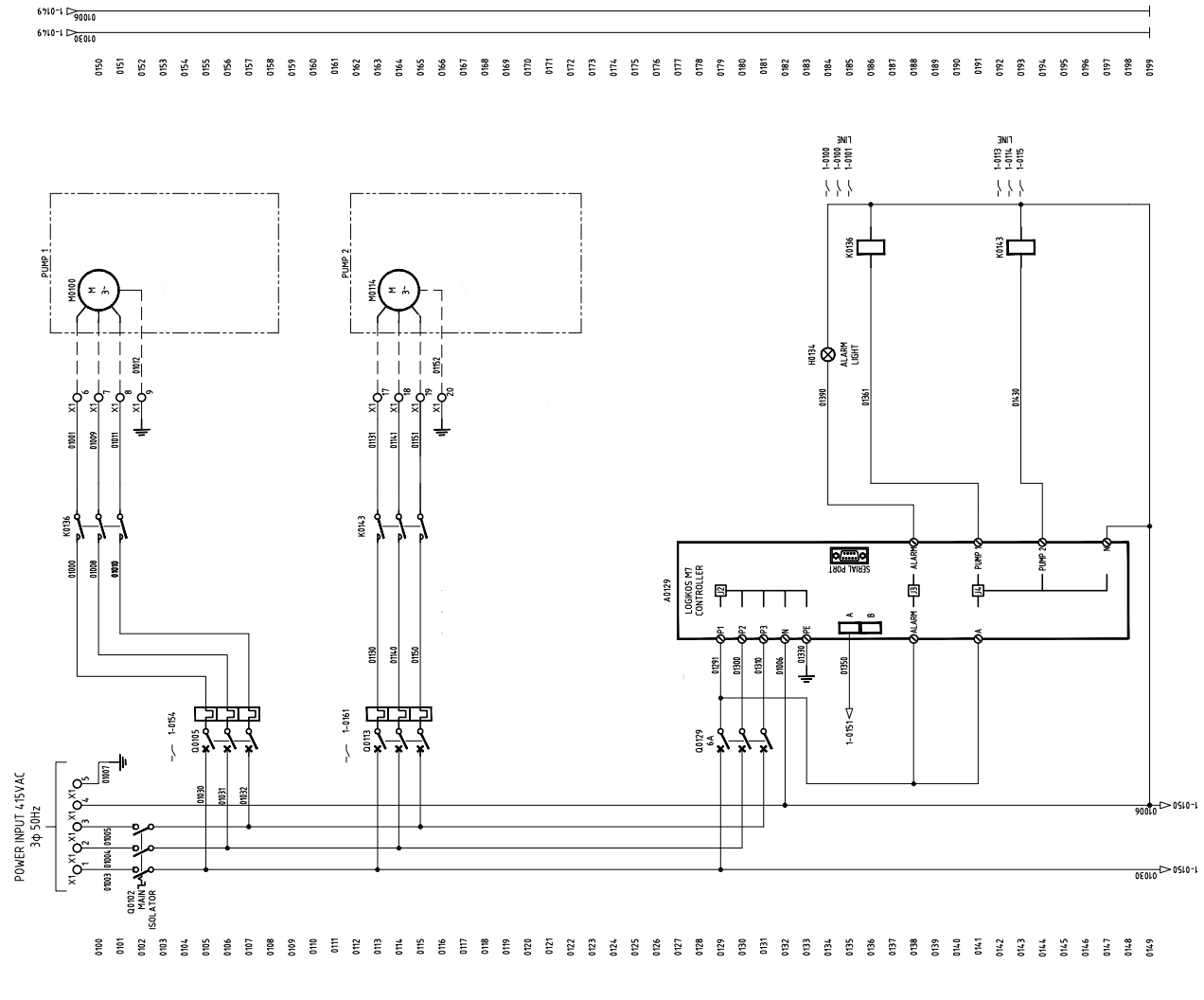
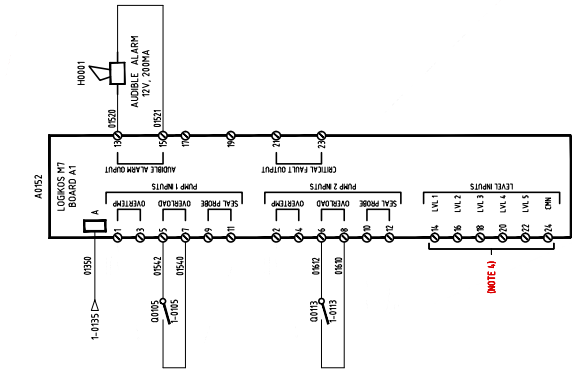
- ONLY ONE LEVEL MONITORING OPTION CAN BE SELECTED
- NOT NEEDED IF NO LOAD CONNECTED
- REFER TO STD-E-LKS-03 FOR EXTENDED OPTIONS IF INSTALLED
- REFER TO STD-E-LKS-02 FOR LEVEL INSTRUMENTATION CONNECTIONS
- TERMINAL NUMBERS ARE RESERVED
- VFC MAX VOLTAGE RATING = 28VDC

**OPTIONS TABLE**

<input type="checkbox"/>	OPTIONS NOT INSTALLED
<input checked="" type="checkbox"/>	OPTIONS INSTALLED
DESCRIPTION	ORDER CODE
PUMP CONFIGURATION OPTIONS	
SINGLE PUMP	SP <input type="checkbox"/>
DUAL PUMP	DP <input checked="" type="checkbox"/>
SINGLE PHASE	1 <input type="checkbox"/>
THREE PHASE	3 <input checked="" type="checkbox"/>
TEMP SENSOR FITTED	T <input type="checkbox"/>
SEAL PROBE FITTED	SLP <input type="checkbox"/>
PUMP STARTING OPTIONS	
DIRECT ON LINE	D <input checked="" type="checkbox"/>
STAR DELTA START	SD <input type="checkbox"/>
LEVEL MONITORING	
BOARD B	B <input type="checkbox"/>
3 SENSOR PROBE/SWITCHES	LS <input checked="" type="checkbox"/>
4/5 SENSOR PROBE/SWITCHES	LS <input type="checkbox"/>
10 SENSOR PROBE/SWITCHES	LS <input type="checkbox"/>
LEVEL/PRESS. TRANSDUCER	LT <input type="checkbox"/>
EXTENDED OPTIONS	
FEED TANK LOW LEVEL FLOAT	LL <input type="checkbox"/>
UV	UV <input type="checkbox"/>
MAINS SOLENOID	MS <input type="checkbox"/>
JUDO	JU <input type="checkbox"/>
WELL WASHER	W <input type="checkbox"/>
PHASE INDICATION	PI <input type="checkbox"/>
HIGH LEVEL COMMS - MONITOR	M <input type="checkbox"/>
VOLTAGE FREE CONTACTS	VFC <input type="checkbox"/>
HIGH LEVEL VFC	HL <input type="checkbox"/>
DDE	DDE <input type="checkbox"/>

NOTE 11  
PLEASE FIT ONLY ONE OF THESE OPTIONS WHEN REQUIRED

NOTE 31



**Specialists in Package Pumping Solutions**  
 2 Mical Crescent (Cnr Balle Rd)  
 Canning Vale, WA 6155  
 +61 (08) 9350 1000  
 www.alliedpumps.com.au

**Allied Pumps**

COPYRIGHT, THIS DRAWING AND DESIGN MUST NOT BE COPIED IN WHOLE OR IN PART WITHOUT THE WRITTEN CONSENT OF ALLIED PUMPS AND AS REPRODUCED MUST CARRY ALLIED PUMPS DESIGNATION.

REV	DESCRIPTION	BY	DATE	CHK	DATE	APP	REFERENCE
8	ADDED SEAL PROBE OPTION	CR	17.02.23	JFD	17.02.23		
7	ADDED DDE AS LAYER	CR	05.07.22	JFD	05.07.22		
6	ADDED HIGH LEVEL VFC	CR	17.05.22	JFD	17.05.22		
5	SEPARATE TERMINAL ADDED FOR THERMAL SWITCH	JFD	24.09.21	JFD	29.09.21		
4	AMENDED TO COMMENTS	JFD	29.01.21	JFD	29.01.21		
3	AMENDED TO COMMENTS	JFD	30.09.20	JFD	30.09.20		
2	AMENDED TO COMMENTS	JFD	25.02.20	LAS	25.02.20		STD-E-LKS-02 INSTALLATION NOTES

**TYPICAL PUMP CONTROLLER**  
 LOGIKOS M7 - 2 PUMP - BOARD A1 & (B)  
 ELECTRICAL SCHEMATIC

CLIENT: \_\_\_\_\_

PROJECT: \_\_\_\_\_

SHEET SIZE: A1 | SCALE: 1:1 | SHEET NO: 8

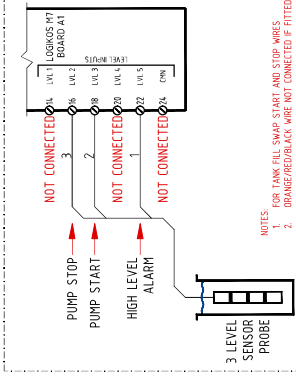
INTERNAL DOC CONTROL: STD-E-LKS-01

PROJECT Dwg. No: \_\_\_\_\_

REVISION: \_\_\_\_\_

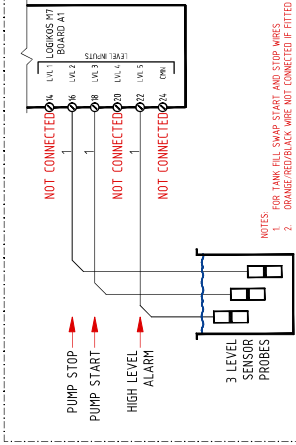
BOARDS A1 & B

3 LEVEL SENSOR PROBE - TANK EMPTY



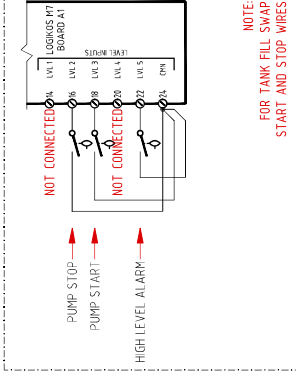
NOTES:  
1. FOR TANK FILL SWAP START AND STOP WIRES  
2. ORANGE/RED/BLACK WIRE NOT CONNECTED IF FITTED

3 LEVEL INDIVIDUAL SENSOR PROBES - TANK EMPTY



NOTES:  
1. FOR TANK FILL SWAP START AND STOP WIRES  
2. ORANGE/RED/BLACK WIRE NOT CONNECTED IF FITTED

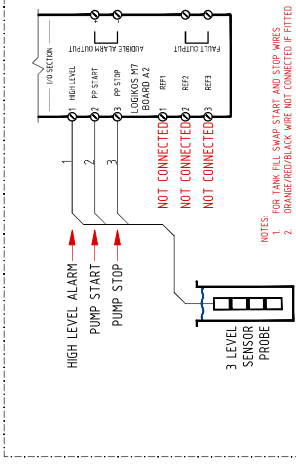
3 FLOAT SWITCHES - TANK EMPTY



NOTE:  
FOR TANK FILL SWAP START AND STOP WIRES

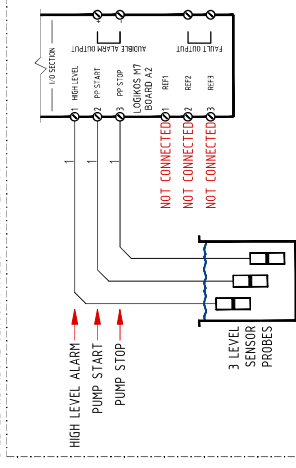
BOARD A2

3 LEVEL SENSOR PROBE - TANK EMPTY



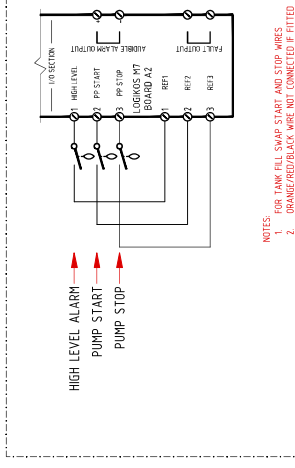
NOTES:  
1. FOR TANK FILL SWAP START AND STOP WIRES  
2. ORANGE/RED/BLACK WIRE NOT CONNECTED IF FITTED

3 LEVEL INDIVIDUAL SENSOR PROBES - TANK EMPTY



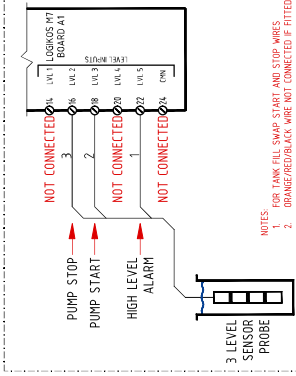
NOTES:  
1. FOR TANK FILL SWAP START AND STOP WIRES  
2. ORANGE/RED/BLACK WIRE NOT CONNECTED IF FITTED

3 FLOAT SWITCHES - TANK EMPTY



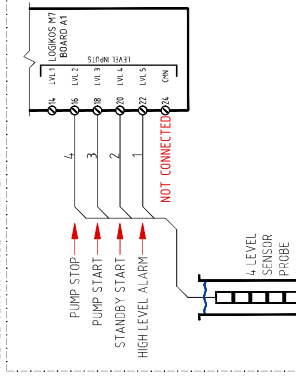
NOTES:  
1. FOR TANK FILL SWAP START AND STOP WIRES  
2. ORANGE/RED/BLACK WIRE NOT CONNECTED IF FITTED

3 LEVEL SENSOR PROBE - TANK EMPTY



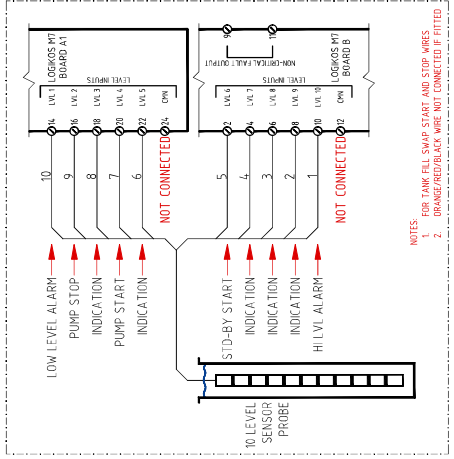
NOTES:  
1. FOR TANK FILL SWAP START AND STOP WIRES  
2. ORANGE/RED/BLACK WIRE NOT CONNECTED IF FITTED

4 LEVEL SENSOR PROBE - TANK EMPTY



NOTES:  
1. FOR TANK FILL SWAP STD START AND STOP WIRES  
2. ORANGE/RED/BLACK WIRE NOT CONNECTED IF FITTED

10 LEVEL SENSOR PROBE - TANK EMPTY



NOTES:  
1. FOR TANK FILL SWAP START AND STOP WIRES  
2. ORANGE/RED/BLACK WIRE NOT CONNECTED IF FITTED

REV	DESCRIPTION	BY	DATE	CHK	DATE	APP	REFERENCE
8	AMENDED TO COMMENTS	JFD	17.02.23	JFD	17.02.23	JFD	17.02.23
7	AMENDED TO COMMENTS	JFD	05.07.22	JFD	05.07.22	JFD	05.07.22
6	AMENDED TO COMMENTS	JFD	17.05.22	JFD	17.05.22	JFD	17.05.22
5	AMENDED TO COMMENTS	JFD	24.09.21	JFD	24.09.21	JFD	24.09.21
4	AMENDED TO COMMENTS	JFD	29.01.21	JFD	29.01.21	JFD	STD-E-LKS-04
3	AMENDED TO COMMENTS	JFD	30.09.20	INC	30.09.20	INC	STD-E-LKS-03
2	AMENDED TO COMMENTS	JFD	25.02.20	JFD	25.02.20	LAS	75.02.20

CR	JFD	17.02.23	JFD	17.02.23	JFD	17.02.23
8	AMENDED TO COMMENTS	JFD	17.02.23	JFD	17.02.23	JFD
7	AMENDED TO COMMENTS	JFD	05.07.22	JFD	05.07.22	JFD
6	AMENDED TO COMMENTS	JFD	17.05.22	JFD	17.05.22	JFD
5	AMENDED TO COMMENTS	JFD	24.09.21	JFD	24.09.21	JFD
4	AMENDED TO COMMENTS	JFD	29.01.21	JFD	29.01.21	JFD
3	AMENDED TO COMMENTS	JFD	30.09.20	INC	30.09.20	INC
2	AMENDED TO COMMENTS	JFD	25.02.20	JFD	25.02.20	LAS

CLIENT: —

PROJECT: —

Scale: A1

Sheet Size: A1

Scale: 1:1

Internal Code Control: STD-E-LKS-02

Revision: —

Specialists in Package Pumping Solutions

2 Motal Crescent (Cnr Balls Rd)  
Canning Vale, WA 6155  
+61 (08) 9350 1000  
www.alliedpumps.com.au

Copyright, the drawings and design must not be copied in whole or in part without the written consent of Allied Pumps and as reproduced must carry Allied Pumps designation.

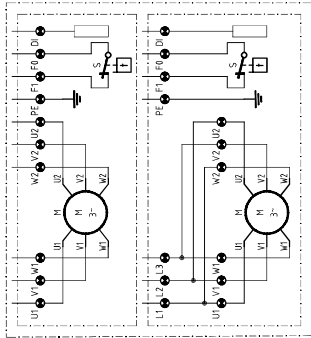
LEGENDS

- TERMINALS
- EXTERNAL CABLE

NOTES

1. ONLY ONE LEVEL MONITORING OPTION CAN BE SELECTED
2. LEVEL TRANSDUCER IS NOT PART OF THIS INSTALLATION NOTE - PLEASE SEE SCHEMATIC
3. REFER BACK TO DRAWING 1 WHEN IDE OPTION IS SELECTED.

6 WIRE MOTOR CONNECTION - DELTA



TYPICAL PUMP CONTROLLER

LOGOS M7 - 2 PUMP

ELECTRICAL SCHEMATIC - INSTALLATION NOTES

PROJECT Dwg No: 8